

COOLANT HEATER TC14-Mini-PU27



Coolant heater 14TC-Mini-PU27 provides efficient pre-heating for engines, hydraulic systems, hot water tanks, and auxiliary heat for cab or cargo space. The **14TC-Mini-PU27** applications vary from any type of vehicles and heavy equipment to boats and motorhomes.

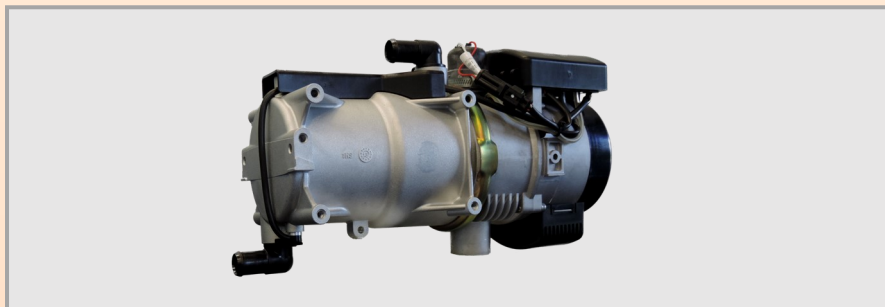
- With the coolant heater you can reduce cost of fuel in compliance with “no idling zone” regulations
- Coolant heater provides easy engine start at the temperature as low as -45°C
- Coolant heater covers all heating needs for your recreational vehicle or boat
- Each heater comes with installation kit
- 2-year warranty on parts and labor

Coolant heater 14TC-Mini-PU27:

- Operates on diesel and 12V or 24 V power independently from engine
- Generates up to 49,500 btu/h (14.5 kW)
- Extremely low fuel and power consumption
- Provides instant coolant heating up to 80°C
- Fully automated temperature control, timers, and programmable start / stop
- Compact design and “plug-and-play” installation
- Self-diagnostic system

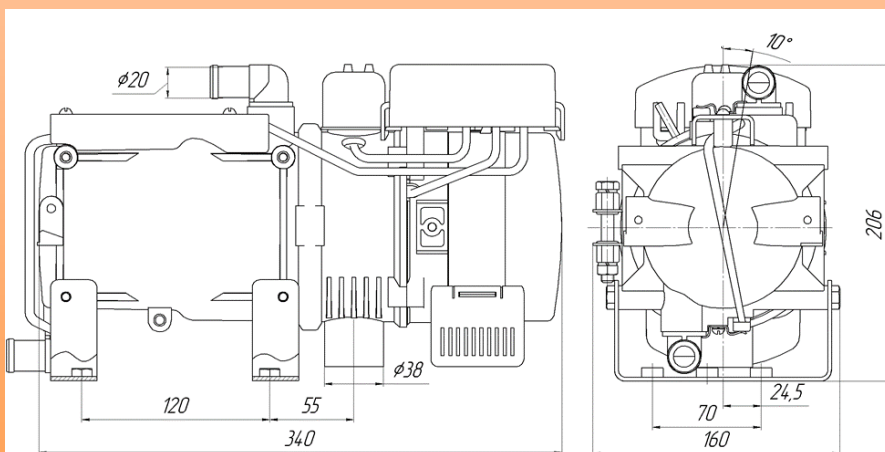
14TC-Mini-12 (-24)

TECHNICAL SPECIFICATIONS



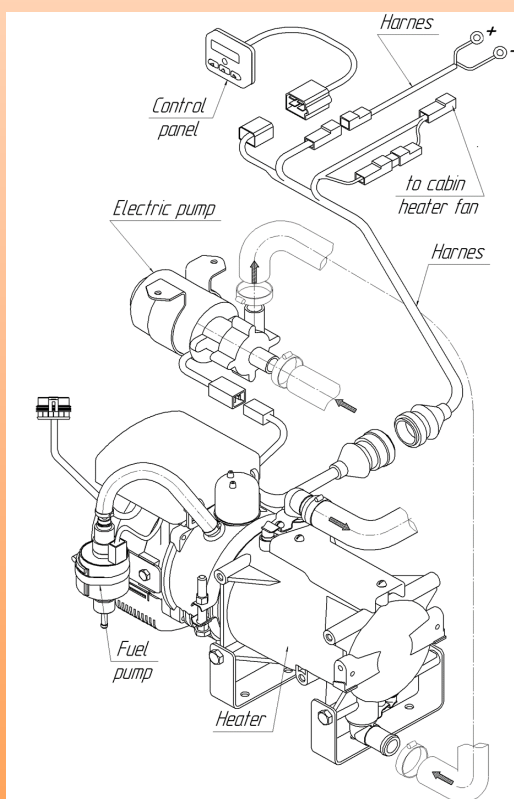
14TC-MINI-12-PU27	
RATED VOLTAGE	12V
FUEL	DIESEL
HEATING CAPACITY	13,600 - 489,500 btu/h (4.0 - 14.5 kW)
COOLANT	ANTIFREEZE
FUEL CONSUMPTION	0.05 - 0.34 gal/h (0.2 - 1.3 l/h)
EL. POWER CONSUMPTION	6.1 - 9.1 A (74.0 - 110.0 W)
WEIGHT	17.6 lbs (8.0 kg)
DIMENSIONS (L x W x H)	13.4 x 6.3 x 8.1 in. (340 x 160 x 206 mm)

14TC-MINI-24-PU27	
RATED VOLTAGE	12V
FUEL	DIESEL
HEATING CAPACITY	13,600 - 49,500 btu/h (4.0 - 14.5 kW)
COOLANT	ANTIFREEZE
FUEL CONSUMPTION	0.13 - 0.50 gal/h (0.2 - 1.9 l/h)
EL. POWER CONSUMPTION	3.1 - 5.4 A (76.0 - 130.0 W)
WEIGHT	17.6 lbs (8.0 kg)
DIMENSIONS (L x W x H)	13.4 x 6.3 x 8.1 in. (340 x 160 x 206 mm)



Standard kit includes:

- Coolant heater 14TC-Mini-PU27
- Circulation pump with set of rubber hoses and fittings
- Metering fuel pump with fuel lines and wire harness
- Wall mount fuel tank with brackets, 13 L. (3.4 gal.)
- Control panel:
 - automatic temperature control
 - programmable start
- Wire harness assembly
- Exhaust flexible pipe, stainless
- Set of fasteners and hardware



PLANAR MARINE and TRUCK AIR HEATERS Ltd.

109-18635 52 Ave.

Surrey, BC V3S 8E5

Toll free: 1 (604) 372-3222

Toll free: 1 (844) 259-8591

www.PLANARHEATERS.COM

Contact your local dealer: