

EN



# Catalogue of parts and assemblies for liquid heater AUTOTERM 30SP-24

АДВР.320.07.00.000 КДС

**Manufacturer: ADVERS LLC**

Novo-Sadovaja str. 106, 443068, Samara, Russia

[www.autoterm.ru](http://www.autoterm.ru)

**Representative office of manufacturer: AUTOTERM LLC**

Paleju 72, Marupe, Latvia, LV-2167

**Warranty Department** [warranty@autoterm.com](mailto:warranty@autoterm.com)

**Technical Support** [service@autoterm.com](mailto:service@autoterm.com)

[www.autoterm.com](http://www.autoterm.com)

This part-and-assembly catalogue is intended for companies and individuals involved in installing, repairing, and maintaining liquid heater Autoterm 30SP-24.

This catalogue consists of two sections:

1. A schematic drawing of the **pre-heater** (figure 1) and a list of the pre-heater's parts and assemblies (table 1)
2. A schematic drawing of the **heater** (figure 2) and a list of the heater's parts and assemblies (table 2)
3. A schematic drawing of the **burner** (figure 3) and a list of the heater's parts and assemblies (table 3)

If a part or assembly fails during use, look up its designation in this catalogue to order a replacement from the manufacturer.

**IMPORTANT**      **For ease of ordering, use the manufacturer's product numbers listed in the tables below**

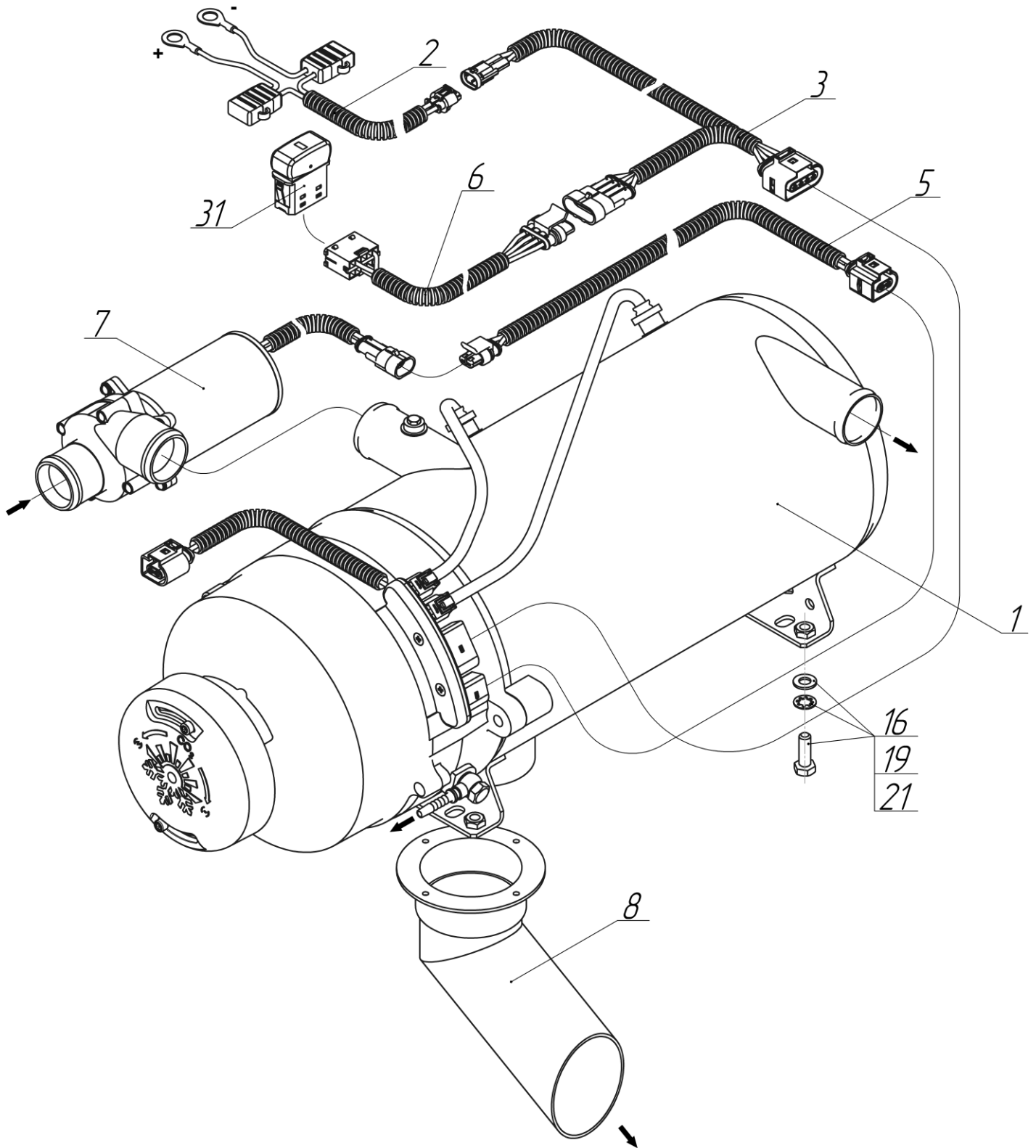


Figure 1- Schematic drawing of the pre-heater

Table 1

№	Part/assembly description and designation	Notes	30SP-24 assy 5135
	Pre-heater number		1
1	Heater		
	assy 5136		1
2	Power supply harness		
	assy 2017		1
3	Harness		
	assy 4676		1
5	Pump harness		
	assy 4652		1
6	Switch harness		
	assy 4696	l=18m	1
7	Pump		
	assy 2792		1
	Bolt M6x20		4
	Nut M6		4
	Washer 6		4
	Lock washer 6		4
8	Exhaust pipe		
	assy 4763		1
16	Bolt M8x25		4
19	Washer 8		4
21	Lock washer 8		4
31	Switch ПКл.02.52.24.з.о Ф5.3709.011-77		1

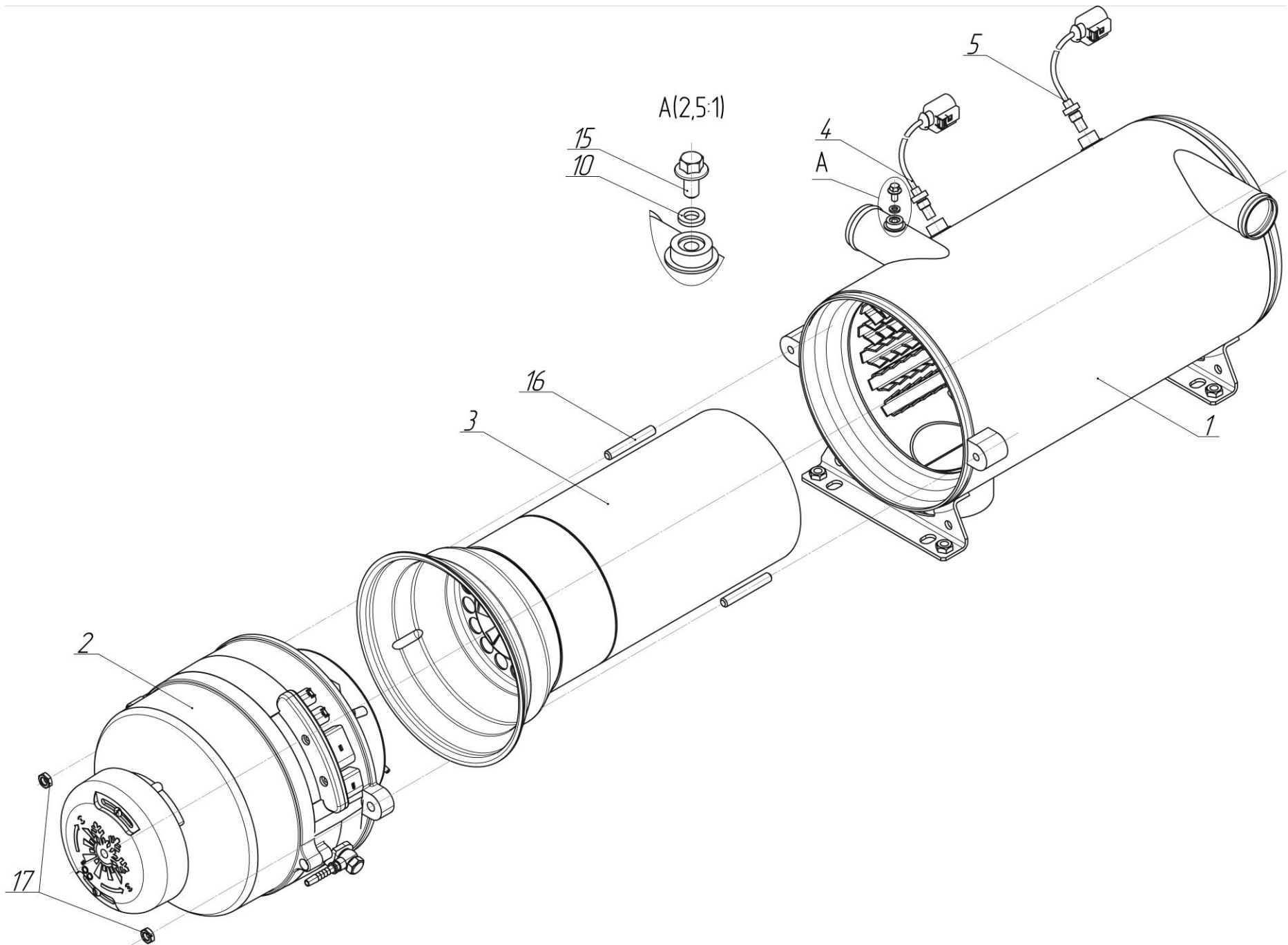


Figure 2- Schematic drawing of the heater

Table 2

№	Part/assembly description and designation	Notes	assy 5136
	Heater number		1
1	Heat exchanger		
	assy 4457		1
2	Burner		
	assy 4458		1
3	Combustion chamber		
	assy 4459		1
4	Temperature sensor		
	assy 4473		1
5	Overheat sensor		
	assy 4478		1
10	O-ring		
	det. 1317		1
15	Bolt M5x10		1
16	Stud M8x45		1
17	Nut M8 DIN 6927		2

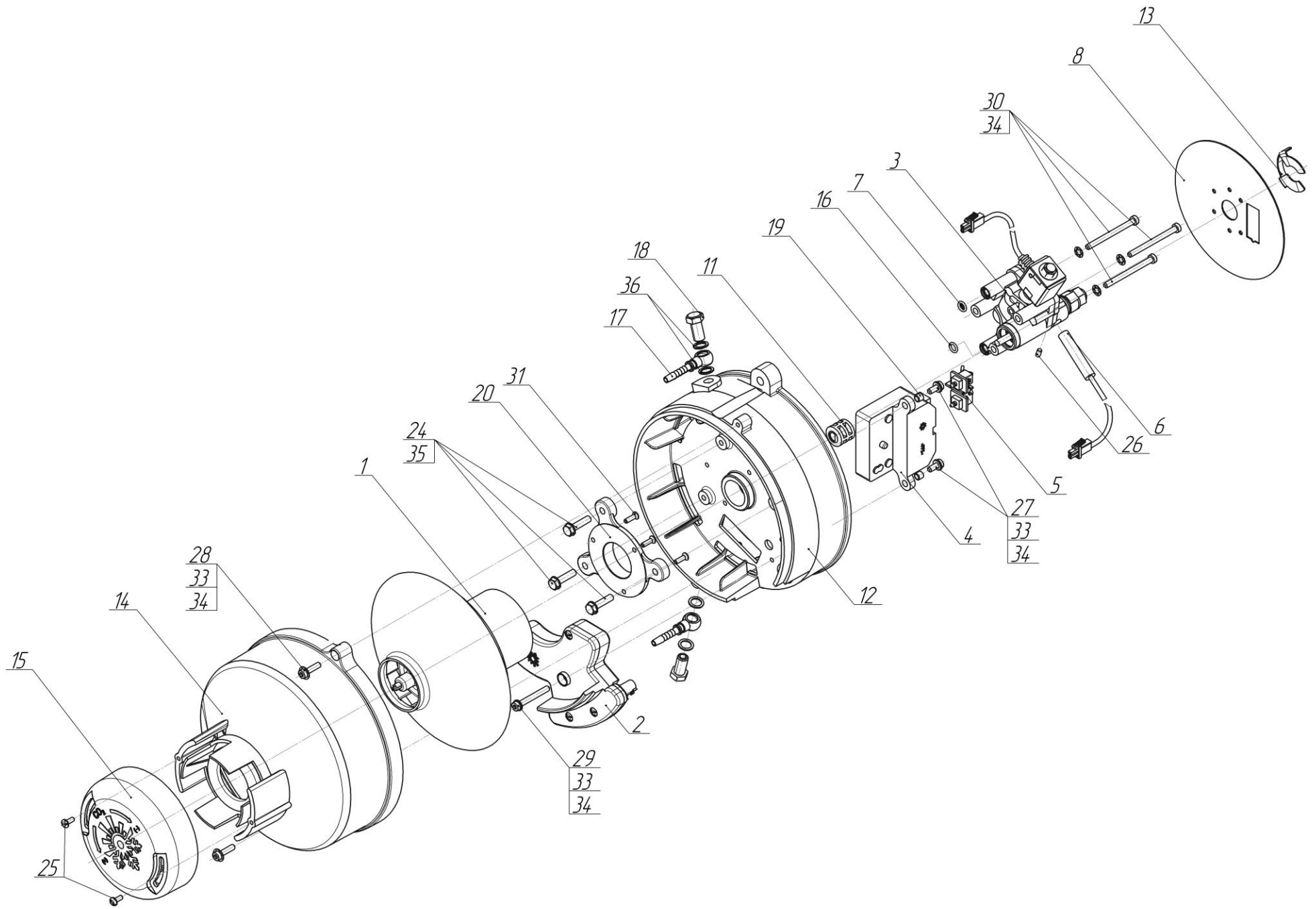


Figure 3- Schematic drawing of the burner

Table 3

№	Part/assembly description and designation	Notes	assy 4458
	Number		1
1	Air pump		
	assy 4561		1
2	Control unit		
	assy 4677		1
3	Fuel pump		
	assy 4496		1
	assy 4584	Solenoid valve	1
4	Electronic ignition unit		
	assy 4466		1
5	Ignition electrode		
	assy 4628		1
6	Heating element		
	assy 4649		1
7	O-ring with filter		
	assy 4739		1
8	Disk		
	assy 4822		1
11	Coupling		
	det. 4779		1
12	Adapter		
	det. 4773		1
13	Lock washer		
	det. 4916		1
14	Hood		
	det. 4994		1
15	Air intake		
	det. 4995		1
16	O-ring		
	det. 4722		1
17	Banjo		
	det. 5179		2
18	Bolt		
	det. 5180		2
19	Sleeve		
	det. 4910		2
20	Adapter		
	det. 4862		1
24	Bolt M6x25		3
25	Screw M4x10 DIN 7500C		2
26	Screw M4x8 DIN916		1
27	Screw M5x12 DIN 912		2
28	Screw M5x20 DIN 912		2
29	Screw M5x40 DIN 912		1
30	Screw M5x60 DIN 912		3
31	Screw M4x14 DIN 965		3
33	Washer 5		5
34	Lock washer 5		8
35	Lock washer 6		3
36	Washer 10x14x1 DIN 7603A		4