

FORCED AIR PETROL HEATER



## PLANAR / Autoterm Air 4B-HA



**Forced air petrol (gasoline) heater Autoterm Air 4B-HA** is designed for providing instant heat to the interior of any type of the vehicles, boats, and motorhomes.

- With the air heater Autoterm Air 4B-HA you can reduce cost of fuel in compliancy with “no idling zone” regulations
- The air heater Autoterm Air 4B-HA is a great way to extend your boating season: for boats 30-40 ft. long
- Efficient performance and quiet operation
- Each heater comes with installation kit
- 2-year warranty on parts and labor

### **Forced air heater PLANAR / Autoterm Air 4B-HA**

- Operates on petrol (gasoline) and 12V power
- Consumes 1 liter of fuel for up to 4 hours of operation
- Generates 13,600 BTU/h with a strong air flow
- Fully automated temperature control and self-diagnostic system
- Compact design and “plug-and-play” installation
- The heater is equipped with a self-adjusting system for operation at high altitudes up to 3000m / 9800 ft.

[www.planarheaters.com](http://www.planarheaters.com)

# PLANAR / Autoterm 4B-HA

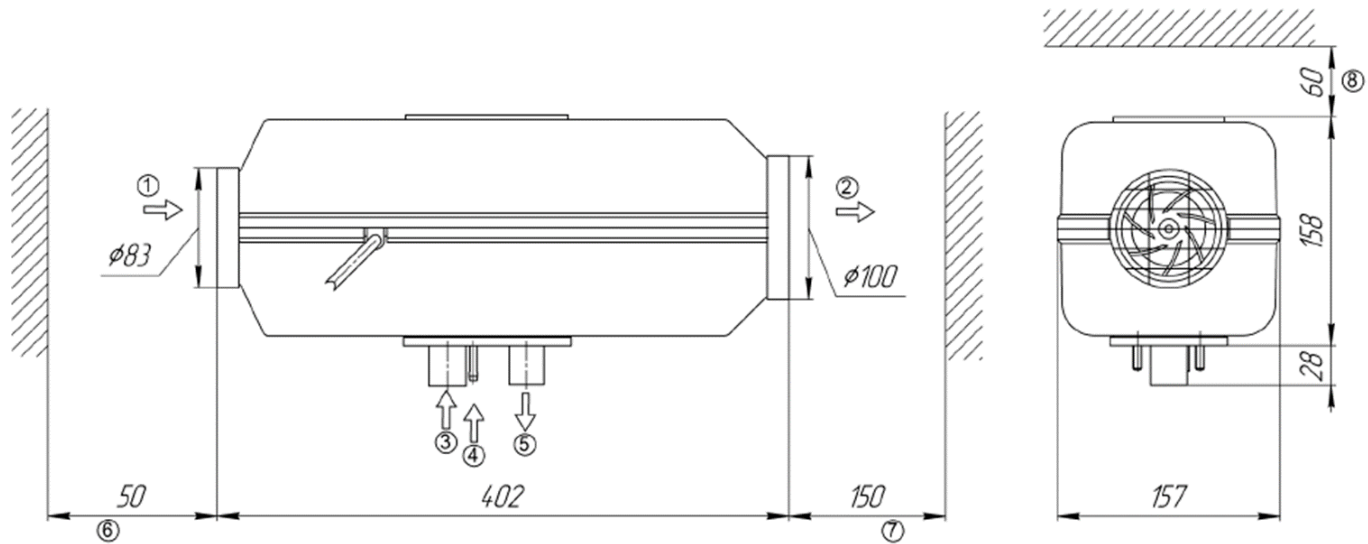
## TECHNICAL SPECIFICATIONS



### Standard kit includes:

- Air heater AIR 4B-12
- Metering fuel pump with fuel lines and wire harness
- Fuel pickup standpipe
- Control panel:
  - automatic temperature control
  - various settings
- Wire harness assembly
- Exhaust flexible pipe, stainless
- Exhaust muffler, stainless
- Combustion air intake silencer
- Set of fasteners and hardware
- Instruction manual

PLANAR / Autoterm Air 4B-HA	
RATED VOLTAGE	12V
FUEL	PETROL (GASOLINE)
HEATING CAPACITY	3,400 - 13,600 btu/h (1.0 - 4.0 kW)
ALTITUDE	9800 ft (3000 m)
AIR FLOW RATE	41 - 98 ft <sup>3</sup> /m (70 - 168m <sup>3</sup> /h)
FUEL CONSUMPTION	0.04 - 0.14 gal/h (0.15 - 0.5 l/h)
EL. POWER CONSUMPTION	0.8 - 5.0 A (10.0 - 56.0 W)
WEIGHT, KIT	15.5 lb (10.0 kg)
WEIGHT, HEATER	11.6 lb (5.3 kg)
DIMENSIONS (L x W x H)	15.8 x 6.2 x 6.2 in. (402 x 157 x 158 mm)



- |                          |  |
|--------------------------|--|
| 1. Heating air intake    | 5. Exhaust gas outlet                                |
| 2. Heating air outlet    | 6. Required gap at heating air intake, min. 50mm     |
| 3. Combustion air intake | 7. Required gap at heating air outlet, min. 150mm    |
| 4. Fuel supply           | 8. Required gap for technical maintenance, min. 60mm |

### PLANAR DISTRIBUTION LTD.

Unnit 106 18663 52 Ave.

Surrey, BC V3S 8E5

Phone: 1 (604) 372-3222

Toll free: 1 (844) 259-8591

[www.PLANARHEATERS.COM](http://www.PLANARHEATERS.COM)

Contact your local dealer: