



**ULTIMATRON
FRANCE**

**5 YEARS
WARRANTY**

Technical sheet

ULTIMATRON LiFePO4 Smart BMS 12.8V 100Ah With Heater

Compared with traditional batteries, our lithium iron phosphate batteries (LiFePO4) have many advantages:

- 5-year manufacturer's warranty
- The safest technology, without risk of fire or explosion
- Long service life
- Constantly improving storage capacity
- High stability even under extreme loads
- No memory effect, no need for full charge and discharge cycles
- High performance even under extreme conditions Deep and regular discharge and charging efficiency Small size and light weight

Integrated Battery Management System (BMS)

To allow the control and the charge of the different elements of an accumulator battery and to protect it against overcharging, overvoltages and overheating.



Note: Series and parallel connection for 12V, 24V, 36V, 48V applications.

Integrated
Bluetooth 4.0 monitoring



You have all important battery data always on your smartphone or tablet. The application displays the data in real time.

N. American Distributor:
Planar Distribution Ltd.
Unit 106 18663 52 Ave, Surrey BC Canada

Ph: 1 (604) 372-3222
Toll free: 1 (844) 259-8591
E: ultimatron@planarheaters.com
W: planarheaters.com/ultimatron-batteries/



**ULTIMATRON
FRANCE**

TECHNICAL SHEET

UBL SMART BMS SERIES 12.8V

ULTIMATRON LiFePO4 Smart BMS 12.8V 100Ah With Heater

ELECTRICAL PERFORMANCE

Nominal Voltage	12.8 V
Nominal Capacity	100 Ah
Capacity @ 20A	300 min
Energy	1280 Wh
Resistance	≤20 mΩ @ 50% SOC
Self Discharge	<3% / Month
Cells	Prismatic Cell 3.2V/100Ah

CHARGE PERFORMANCE

Recommended Charge Current	20 A
Maximum Charge Current	50 A
Recommended Charge Voltage	14.6 V
Charge Cut-Off Voltage	<15.2 V (0.5 ~ 1.5 s)
Reconnect Voltage	>14.4 V
Balancing Voltage	<14 V
Maximum Batteries in Series	4

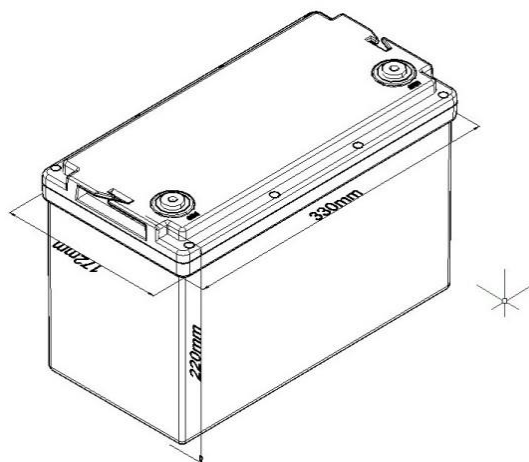
DISCHARGE PERFORMANCE

Continuous Discharge Current	50 A
Maximum continuous Discharge Current	150 A
Peak Discharge Cut-Off Current	450 A (5 ~ 15 ms)
Recommended Low Voltage Disconnect	10 V
Discharge Cut-Off Voltage	>8.4 V (50 ~ 150 ms)
Reconnect Voltage	>10 V
Short Circuit Protection	200 ~ 600 μs

MECHANICAL PERFORMANCE

Dimension (L x W x H)	330x 172 x 220 mm
Weight	12.7 kg
Terminal Type	M8
Terminal Torque	80 ~ 100 in-lbs (9 ~ 11 N-m)
Bluetooth	Bluetooth 4.0 with smartphone app
Case Material	ABS
Enclosure Protection	IP65
Low Temperature Heating	<0°C, threshold to 10°C start normal charge.

DIMENSION



Dimensions	L330* W172 * H220 mm
------------	----------------------

TEMPERATURE PERFORMANCE

Discharge Temperature	-20 ~ 60 °C
Charge Temperature	-20 ~ 45 °C
Storage Temperature	-5 ~ 35 °C
High Temperature Cut-Off	65 °C
Reconnect Temperature	48 °C

COMPLIANCE

Certifications	CE UN38.3 UL1642 & IEC62133
Shipping Classification	UN 3480, CLASS 9

ULTIMATRON FRANCE

Add: 60 Avenue de l'industrie 34820 Teyran

✉ info@ultimatron-franceifr

☎ Tel: +33(0)9 50 42 76 17

MARQUE FRANÇAISE

